



# TECHNICAL DATASHEET



[www.iht-group.com](http://www.iht-group.com)

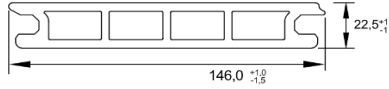
## CWALL Boards

HTS Code: 44189900

### Facade Board 2300x146x22,5

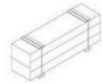


Weight mL - 2,20kg (± 0,2)  
Length Tolerance -5/+15mm



Reference	Color	Dimensions (LxWxH) mm	Weight (kg/Board)
DEU02230BF	BF-Beech Beige	2300 x 146 x 22,5	5,02 Kg
DEU02230BR	BR-Rose Beige	2300 x 146 x 22,5	5,02 Kg
DEU02230CI	CI-Grey	2300 x 146 x 22,5	5,02 Kg
DEU02230RW	RW-RedWood	2300 x 146 x 22,5	5,02 Kg
DEU02230CH	CH-Chocolate	2300 x 146 x 22,5	5,02 Kg
DEU02230NE	NE-Dark Black	2300 x 146 x 22,5	5,02 Kg

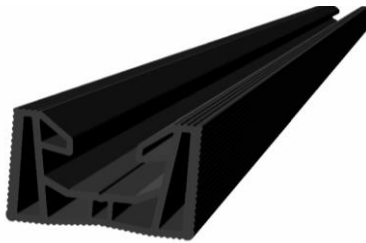
Features Pallet:	Length:	2,32 m	No. Of boards	175
	Width:	0,72 m	Volume:	1,45 m <sup>3</sup>
	Height:	0,89 m	Weight:	887,4 Kg



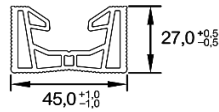
## Quick-Fix Fixing Profiles

HTS Code: 39162000

### Quick-Fix Joist 2300x45x27



Reference	Color	Dimensions (LxWxH) mm	Weight (kg/Joist)
DEU11230PR	Black	2300 x 45 x 27	1,64 Kg

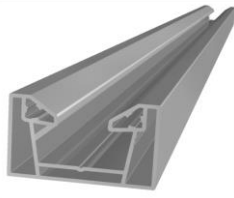


Weight mL - 0,68kg (± 0,2)  
Length Tolerance -5/+15mm

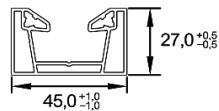
Features Pallet:	Length:	2,32 m	No. Of boards	360
	Width:	0,72 m	Volume:	1,34 m <sup>3</sup>
	Height:	0,80 m	Weight:	599,4 Kg

HTS Code: 76042100

### Quick-Fix Joist ALU



Reference	Color	Dimensions (LxWxH) mm	Weight (kg/Joist)
DEU13230AL	Grey	2300 x 45 x 27	1,77 Kg




Weight mL - 0,72kg (± 0,2)  
Length Tolerance -5/+15mm

## Accessories


HTS Code: 39259010

### Quick-Fix Intermediate Clip

	Unit / Package	Reference	Color	Box dimensions (L x W x H) mm	Weight (kg/box)
	100	DEC70001PRC	PR - Black	230 x 170 x 90	1,20 Kg
	500	DEC70001PRD	PR - Black	380 x 280 x 150	6,02 Kg


HTS Code: 39259010

### Quick-Fix Terminal Clip

	Unit / Package	Reference	Color	Box dimensions (L x W x H) mm	Weight (kg/box)
	25	DEC70002PRQ	PR - Black	110 x 100 x 80	0,51 Kg


HTS Code: 73181552

### Inox Screw 6X60 with Plug Ø8

	Unit/ sachet	Reference	Color	Box dimensions (L x W x H) mm	Weight (kg/sachet)
	50	DEC80001IXX	Screw PZ3 with Stainless Steel A2	6X60 with Plug Ø8	0,43 Kg
<b>Box features and n.º of packages:</b>		Length:	0,23 m	No. Of Sachets per box:	4
		Width:	0,17 m	Volume:	0,003 m3
		Height:	0,09 m	Weight:	1,83 Kg

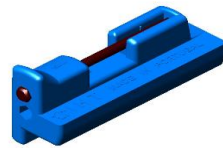
HTS Code: 73181552

### Self Drilling Srew 3,5X25 Stainless Steel

	Unit/ sachet	Reference	Color	Box dimensions (L x W x H) mm	Weight (kg/sachet)
	100	DEC80002IXC	Screw PH2 with Stainless Steel A2	3,5x25	0,13 Kg
<b>Box features and n.º of packages:</b>		Length:	0,10 m	No. Of Sachets per box:	5
		Width:	0,11 m	Volume:	0,001 m3
		Height:	0,08 m	Weight:	0,65 Kg

HTS Code: 82055100

### CTOOL to Install CDECK/CWALL

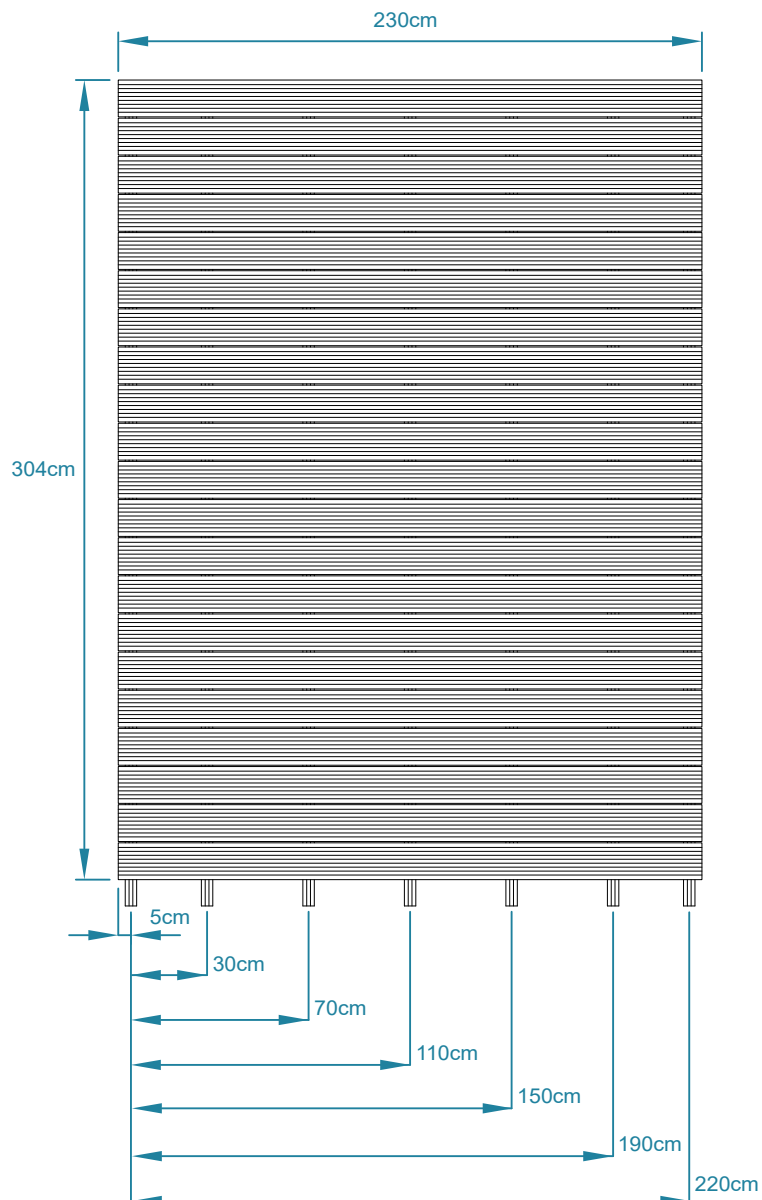
	Unit/ sachet	Reference	Type	Dimensions mm	Weight (kg/sachet)
	1	DEC90001AZ	¼ Bit with 4mm slit for CTOOL	85x26x40	0,06 Kg
<b>Box features and n.º of packages:</b>		Length:	0,12 m	No. Of Sachets per box:	5
		Width:	0,11 m	Volume:	0,001 m3
		Height:	0,08 m	Weight:	0,32 Kg

## Estimated Material by SQ.M. for Facade

### Facade Board 2,30m - Quick-Fix joist and Intermediate Clip

Reference	Designation	Qt/sq.m	
DEU02230xx	FACADE BOARD 2300x146x22,5	3,00	Unit
DEU11230PR	QUICK FIX JOIST 2300x45x27	1,31	Unit
DEC70001xxx	QUICK-FIX INTERMEDIATE CLIP	20	Unit
DEC70002xxx	QUICK-FIX TERMINAL CLIP	2	Unit

Note: The amounts shown are merely examples, given that actual need will depend on the typology of the area and the way the CWALL is applied, with the project below as a reference.





# INSTALLATION MANUAL



[www.iht-group.com](http://www.iht-group.com)

## INSTALLATION MANUAL

### GENERAL RULES

- Items from the CWALL range should be stored on a flat surface, and the items should be protected from direct exposure to sunlight, rain, snow, and other adverse climatic conditions.
- The WPC profiles (e.g.: Facade Boards) should remain on site for at least 48 hours before being fitted, so that the material can adapt to the climatic conditions.
- Before starting the installation you should always check that you have the latest version of the installation manual.
- In large areas, the installation of the CWALL should be carried out in different phases, consisting of no more than 100 sq.m per phase.
- Due to the fact that the base material (WPC) includes wood, there may be small differences of colour between profiles. It is therefore advisable to have a varied distribution of profiles, to cater for these natural discrepancies.
- The CWALL range is a floating facade deck range, so its boards should never be screwed to the base or fastened to any items other than those listed in this manual.
- The installation of CWALL profiles should be carried out in such a way as to ensure no water is accumulated in any parts, particularly inside the boards.
- It is essential to ensure the aeration of the Decking and so the space between the boards and the space between the boards and the ground should never be obstructed.
- CWALL flooring should not be installed in extreme weather conditions, such as temperature below 5 °C, relative humidity above 90%, snow, etc.
- If you have any different needs that are not covered by this manual, you should contact IHT to obtain additional instructions.

## 1- Fastening the Quick-Fix Joist

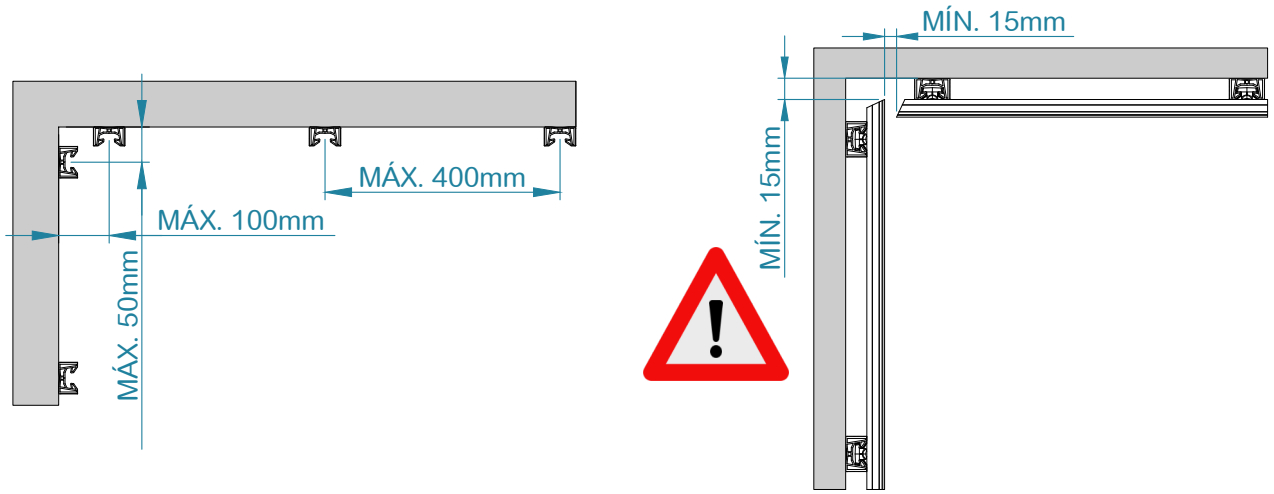
### 1.1 LOGGED ASSEMBLY (ENGLISH ASSEMBLY)



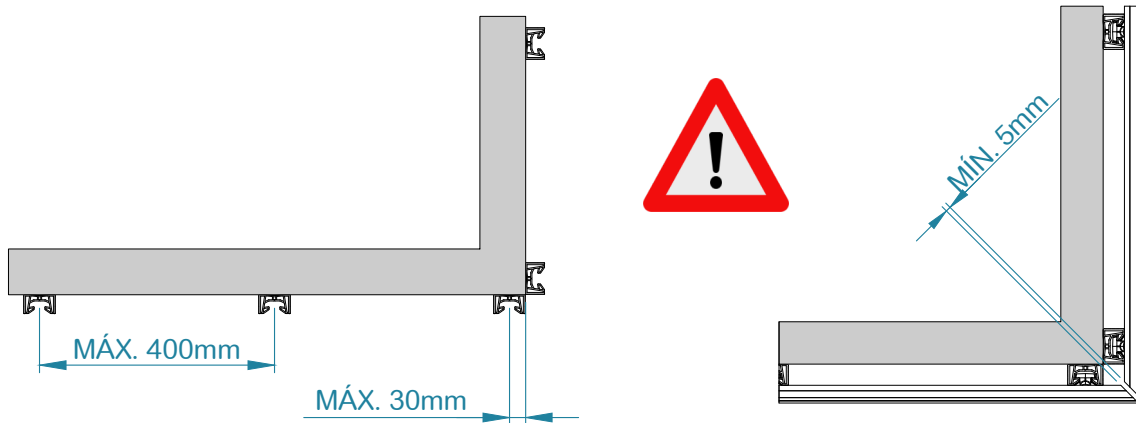


## 1.2 SQAURE FINISHING

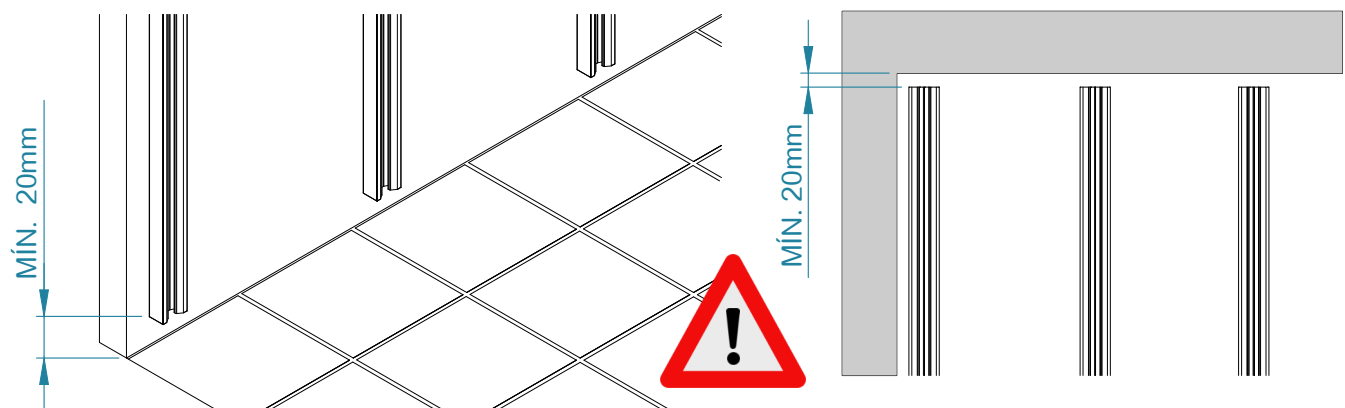
### 1.2.1 INNER CORNER



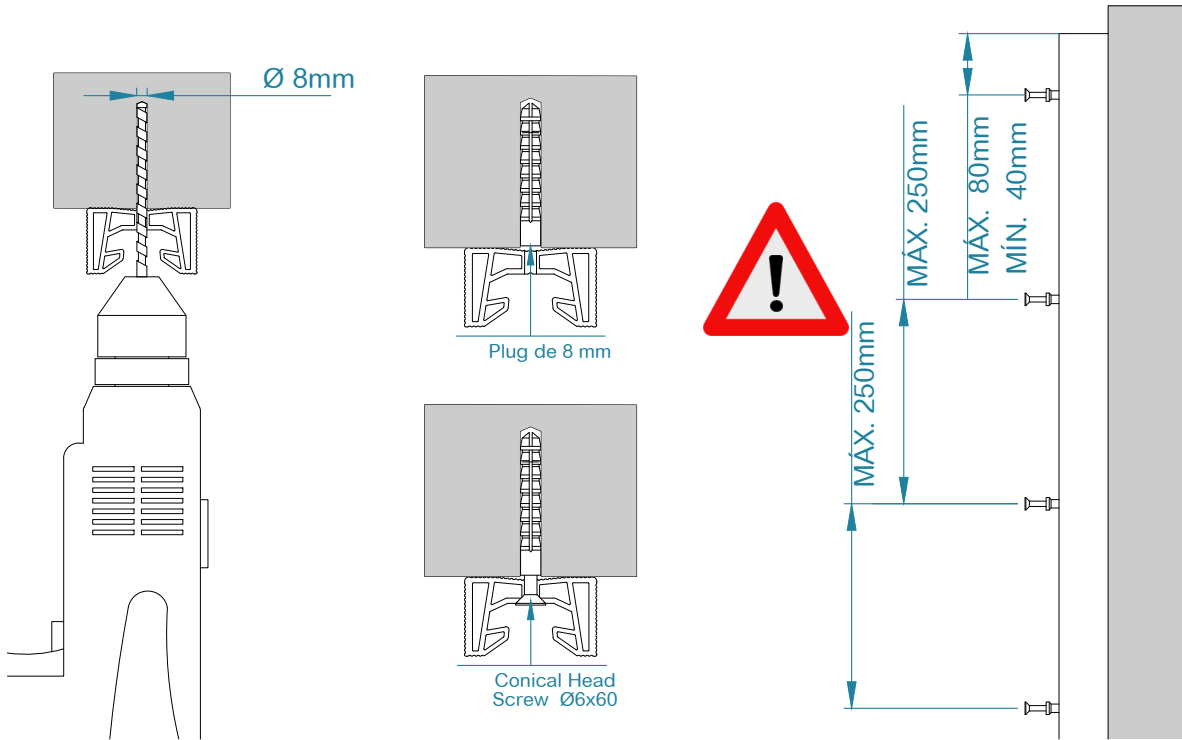
### 1.2.2 CLEOUTER CORNER



### 1.3 CLEARANCE FROM THE TOP OF THE JOIST

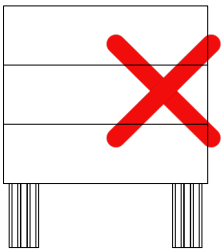


### 1.4 FASTENING THE QUICK-FIX JOIST

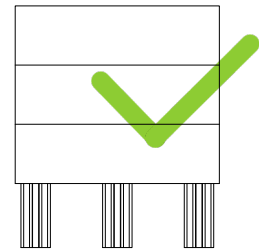


## 2- Fastening the CWALL Boards

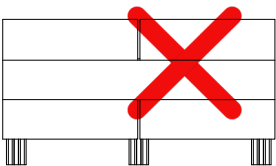
### 2.1



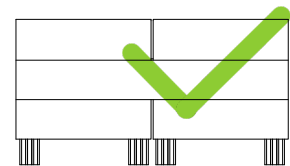
- Independently of the distance between the Joists, under no circumstances can the Boards be supported by less than 3 Joists.



### 2.2

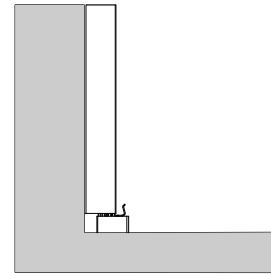
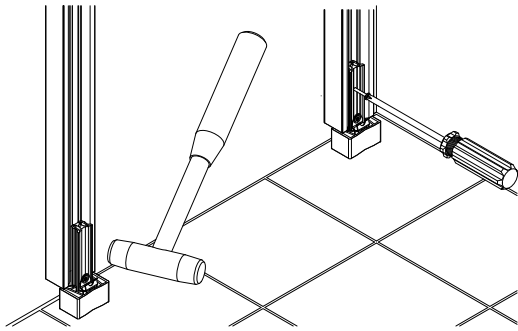


- For assembly involving boards arranged top to top, 2 Joists should always be used (1 for each board) with the respective Clips.

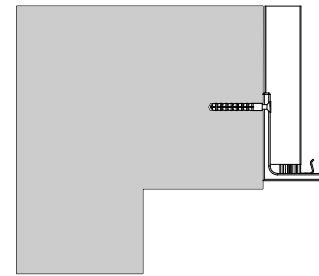
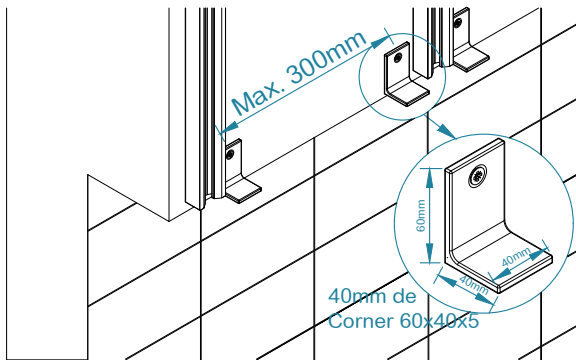




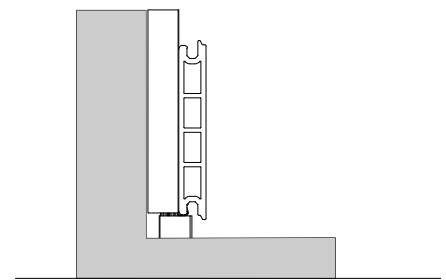
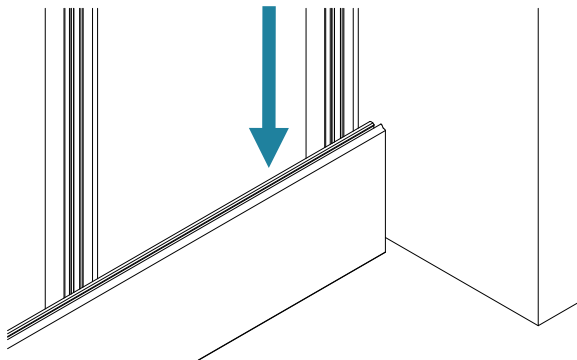
2.3.1



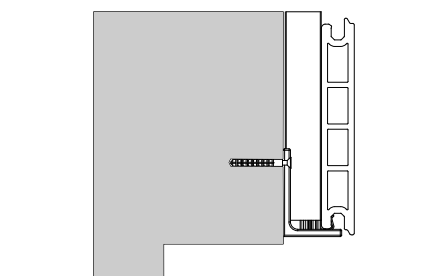
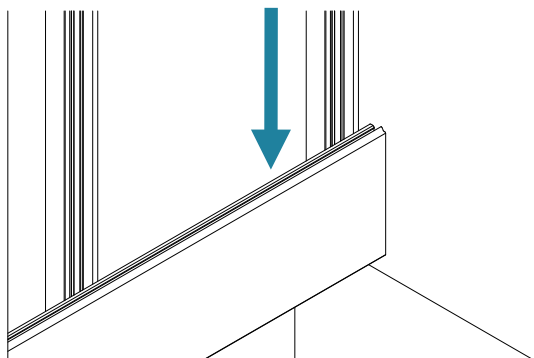
2.3.2



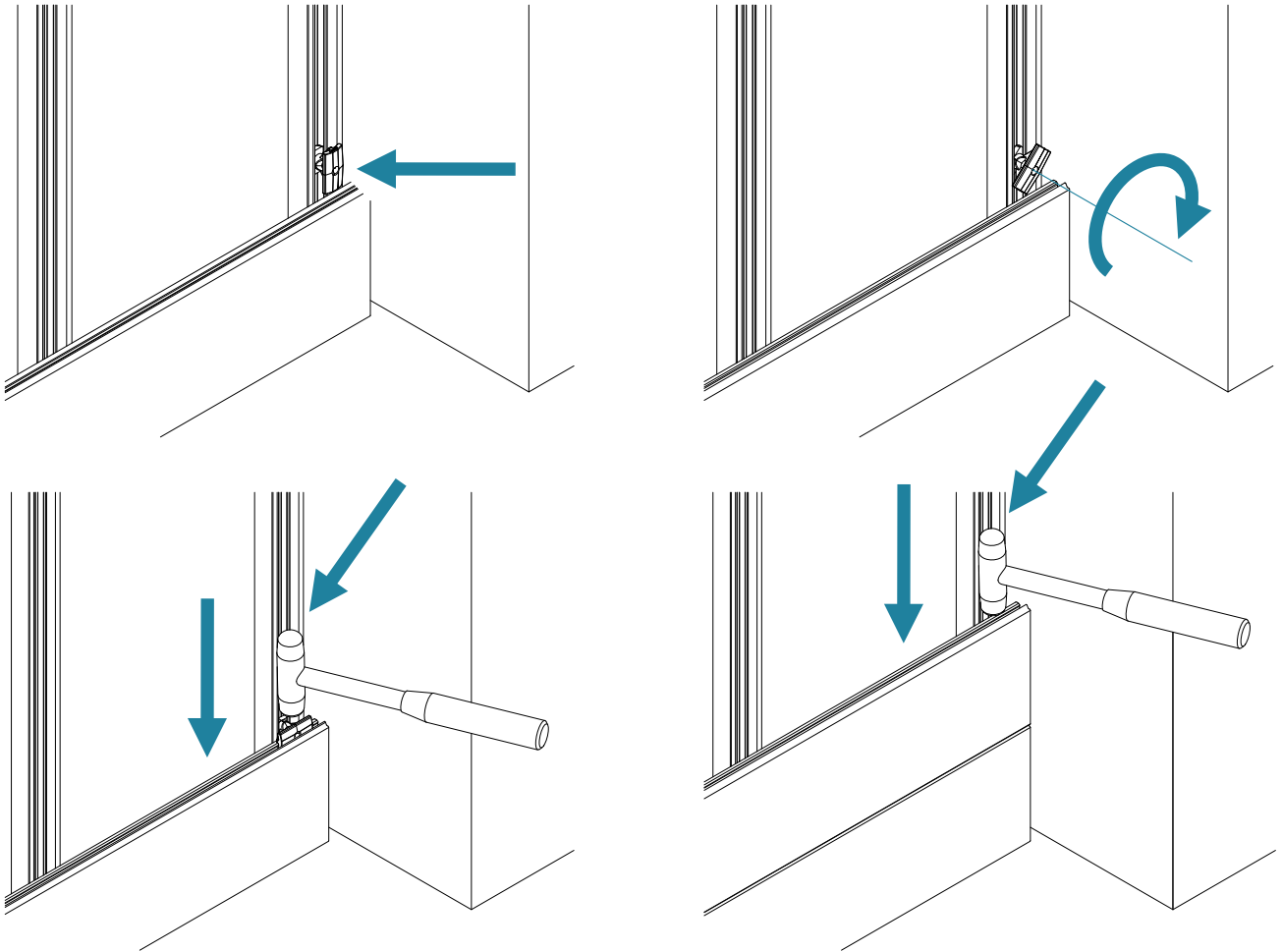
2.4.1



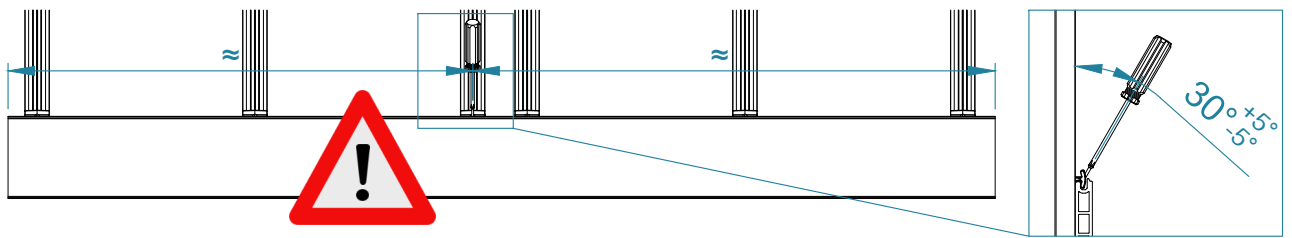
2.4.2



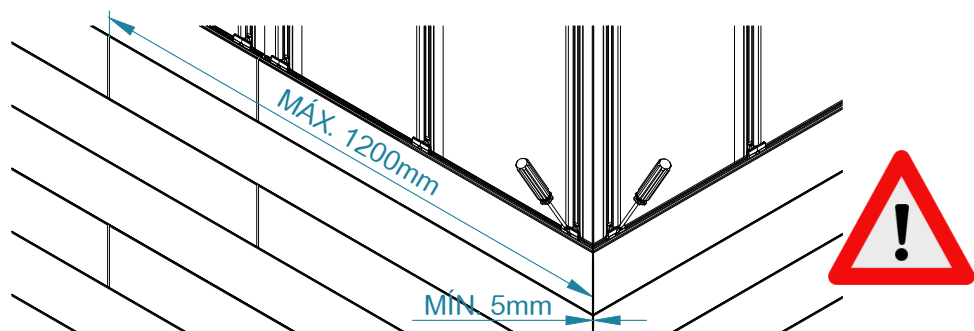
2.5



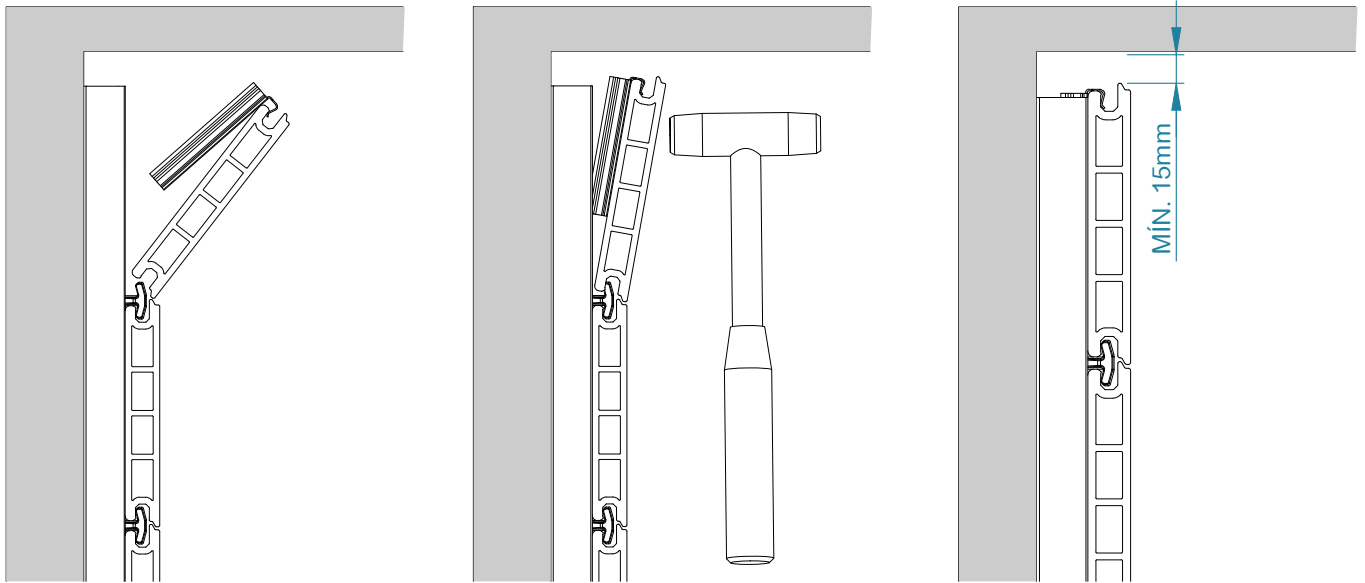
2.6.1 FASTENING THE BOARD IN THE CENTRAL JOIST



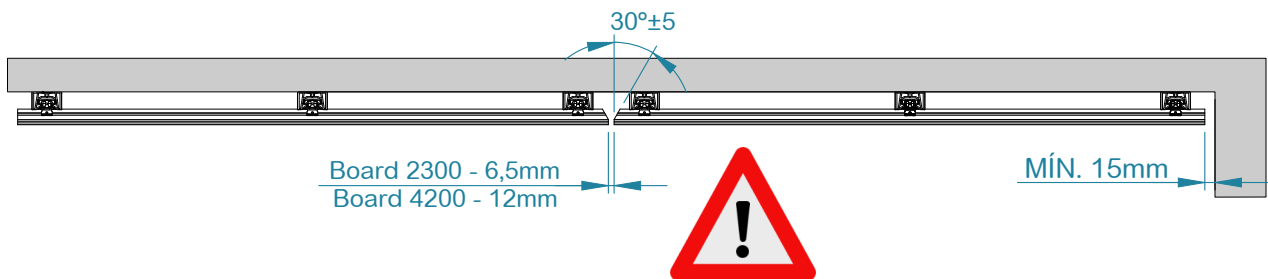
2.6.2 FASTENING THE BOARD IN THE OUTSIDE CORNERS



2.7



2.8



## 3. CWALL MAINTENANCE

### 3.1 INITIAL MAINTENANCE

During fitting it is common for a lot of dust to be produced, so we recommend the CWALL facade to be thoroughly cleaned with water, mild detergent and a soft brush. You can use a garden hose or a high pressure apparatus (at a minimum distance of 30 cm and a maximum pressure of 150 bar), always washing the boards lengthwise.

### 3.2 REGULAR MAINTENANCE

The composite CWALL is easy to maintain. However, it still needs regular cleaning.

Like any covering made of wood, synthetic materials, stone, etc., signs of fungus, moss, etc. can also appear on the CWALL when certain environmental factors are present. Therefore, periodic cleaning is recommended to maintain their good appearance and to ensure that residues do not deposit permanently.

For best results, washing with a pressure machine is the most suitable solution.

For more persistent stains, wash the boards with a chlorine solution (bleach), testing various concentrations until the desired result is achieved.

You should also avoid sharp objects coming into contact with the boards as these events can cause damage to the surface layer of the boards.

### 3.3 GENERAL ASPECTS

The CWALL is a semi-natural product, so that the variations in colour and texture are likely to appear over time. During the first months after outdoor fitting, the colour will gradually change until it stabilises. The boards will take on a final colour which is lighter and more natural than the original colour, due to the absorption of water by the wooden fibres. Once stabilised, colour and texture remain virtually unchanged.

Under certain conditions, static electricity may be formed. This is a natural phenomenon due to the fact that the CWALL includes thermoplastic. However, it will tend to disappear once the texture stabilises.