



TECHNICAL DATASHEET

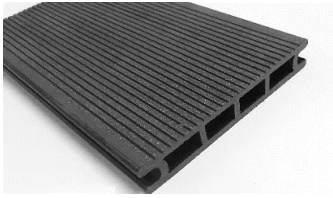


www.ih-group.com

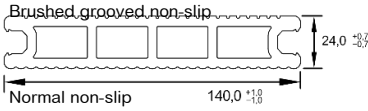
Board CDECK/CFENCE

HTS Code: 44189900

Hollow Board 2300x140x24

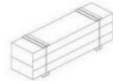


Weight mL - 2,42kg (± 0,2)
Length Tolerance -5/+15mm



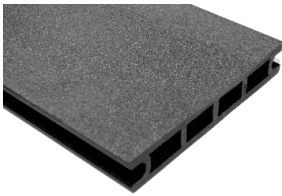
Reference	Color	Dimensions (LxWxH) mm	Weight (kg/Board)
DEU01230BF	BF-Beech Beige	2300 x 140 x 24	5,58 Kg
DEU01230BR	BR-Rose Beige	2300 x 140 x 24	5,58 Kg
DEU01230CI	CI-Grey	2300 x 140 x 24	5,58 Kg
DEU01230RW	RW-RedWood	2300 x 140 x 24	5,58 Kg
DEU01230CH	CH-Chocolate	2300 x 140 x 24	5,58 Kg
DEU01230NE	NE-Dark Black	2300 x 140 x 24	5,58 Kg

Features Pallet:	Length:	2,32 m	No. Of boards	175
	Width:	0,72 m	Volume:	1,57 m ³
	Height:	0,94 m	Weight:	983,9 Kg

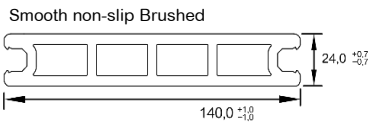


HTS Code: 44189900

Hollow Board CCF 2300x140x24



Weight mL - 2,52kg (± 0,2)
Length Tolerance -5/+15mm



Reference	Color	Dimensions (LxWxH) mm	Weight (kg/Board)
DEU08230BF	BF-Beech Beige	2300 x 140 x 24	5,80 Kg
DEU08230BR	BR-Rose Beige	2300 x 140 x 24	5,80 Kg
DEU08230CI	CI-Grey	2300 x 140 x 24	5,80 Kg
DEU08230RW	RW-RedWood	2300 x 140 x 24	5,80 Kg
DEU08230CH	CH-Chocolate	2300 x 140 x 24	5,80 Kg
DEU08230NE	NE-Dark Black	2300 x 140 x 24	5,80 Kg

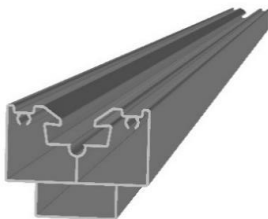
Features Pallet:	Length:	2,32 m	No. Of boards	175
	Width:	0,72 m	Volume:	1,57 m ³
	Height:	0,94 m	Weight:	1022,5 Kg



Quick-Fix Fixing Profiles

HTS Code: 76042100

Quick-fix Joist Alu 67x52



Weight mL - 1,21kg (± 0,2)
Length Tolerance -5/+15mm

Reference	Color	Dimensions (LxWxH) mm	Weight (kg/joist)
DEU14230AL	Al - Grey	2300 x 67 x 52	2,95 Kg
DEU14230CC	CC - Light Brown	2300 x 67 x 52	3,07 Kg
DEU14230CE	CE-Brown	2300 x 67 x 52	3,08 Kg
DEU14230AN	AN-Anthracite	2300 x 67 x 52	3,06 Kg

HTS Code: 73269098

Stainless Steel Support For Joist 67x52

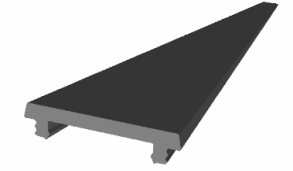


Unid / Package	Reference	Type	Dimensions mm	Weight (kg/Package)
2	DEC70006IXP	Stainless Steel A2	80 x 100	1,36 Kg

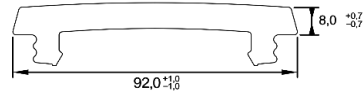
Finishing Profiles

HTS Code: 44189900

Fastener 2300x92x8mm

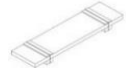


Weight mL - 1,35kg (± 0,2)
Length Tolerance -5/+15mm



Reference	Color	Dimensions (LxWxH) mm	Weight (kg/profile)
DEU23230BF	BF-Beech Beige	2300 x 92 x 8	3,05 Kg
DEU23230BR	BR-Rose Beige	2300 x 92 x 8	3,05 Kg
DEU23230CI	CI-Grey	2300 x 92 x 8	3,05 Kg
DEU23230RW	RW-RedWood	2300 x 92 x 8	3,05 Kg
DEU23230CH	CH-Chocolate	2300 x 92 x 8	3,05 Kg
DEU23230NE	NE-Dark Black	2300 x 92 x 8	3,05 Kg

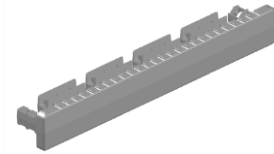
Features Pallet:	Length:	2,32 m	No. of profiles	42
	Width:	0,72 m	Volume:	0,15 m ³
	Height:	0,09 m	Weight:	136,4 Kg



End Cap

HTS Code: 39259010

Hollow Board End Cap 140X24




Unid / Package	Reference	Color	Box dimensions (L x W x H) mm	Weight (kg/box)
25	DEC70005BFQ	BF-Beech Beige	230 x 170 x 90	0,80 Kg
25	DEC70005CHQ	CH-Chocolate	230 x 170 x 90	0,80 Kg
25	DEC70005CIQ	CI-Grey	230 x 170 x 90	0,80 Kg
25	DEC70005NEQ	NE-Dark Black	230 x 170 x 90	0,80 Kg
25	DEC70005RWQ	RW-RedWood	230 x 170 x 90	0,80 Kg

Accessories


HTS Code: 39259010

Quick-Fix Intermediate Clip

	Unid / Package	Reference	Color	Box dimensions (L x W x H) mm	Weight (kg/box)
	100	DEC70001CAC	CA - Brown	230 x 170 x 90	1,20 Kg
	100	DEC70001CZC	CZ - Grey	230 x 170 x 90	1,20 Kg
	100	DEC70001PRC	PR - Black	230 x 170 x 90	1,20 Kg
	500	DEC70001CAD	CA - Brown	380 x 280 x 150	6,02 Kg
	500	DEC70001CZD	CZ - Grey	380 x 280 x 150	6,02 Kg
	500	DEC70001PRD	PR - Black	380 x 280 x 150	6,02 Kg

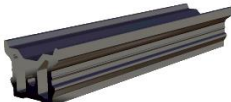
HTS Code: 39259010

Quick-Fix Terminal Clip

	Unid / Package	Reference	Color	Box dimensions (L x W x H) mm	Weight (kg/box)
	25	DEC70002PRQ	PR - Black	110 x 100 x 80	0,51 Kg


HTS Code: 39259010

Fastener Holder

	Unid / Package	Reference	Color	Box dimensions (L x W x H) mm	Weight (kg/box)
	25	DEC70003PRQ	PR - Black	110 x 100 x 80	0,45 Kg


HTS Code: 73181552

Inox Screw 6X60 with Plug Ø8

	Unit/ sachet	Reference	Type	Dimensions mm	Weight (kg/sachet)
	50	DEC80001IXX	Screw PZ3 with Stainless Steel A2	6X60 with Plug Ø8	0,43 Kg
	Box features and n.º of packages:	Length:	0,23 m	No. Of Sachets per box:	4
		Width:	0,17 m	Volume:	0,003 m3
		Height:	0,09 m	Weight:	1,83 Kg


HTS Code: 73181552

Self Drilling Srew 3,5X25 Stainless Steel

	Unit/ sachet	Reference	Type	Dimensions mm	Weight (kg/sachet)
	100	DEC80002IXC	Screw PH2 with Stainless Steel A2	3,5x25	0,13 Kg
	Box features and n.º of packages:	Length:	0,12 m	No. Of Sachets per box:	5
		Width:	0,11 m	Volume:	0,001 m3
		Height:	0,08 m	Weight:	0,70 Kg

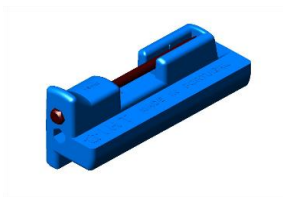
HTS Code: 73181552

Self Drilling Screw 5,5X25 Stainless Steel

	Unit/ sachet	Reference	Type	Dimensions mm	Weight (kg/sachet)
	50	DEC80004IXX	Screw PZ3 with Stainless Steel A2	5,5x25	0,15 Kg
	Box features and n.º of packages:	Length:	0,12 m	No. Of Sachets per box:	5
		Width:	0,11 m	Volume:	0,001 m3
		Height:	0,08 m	Weight:	0,77 Kg

HTS Code: 82055100

CTOOL to Install CDECK/CWALL



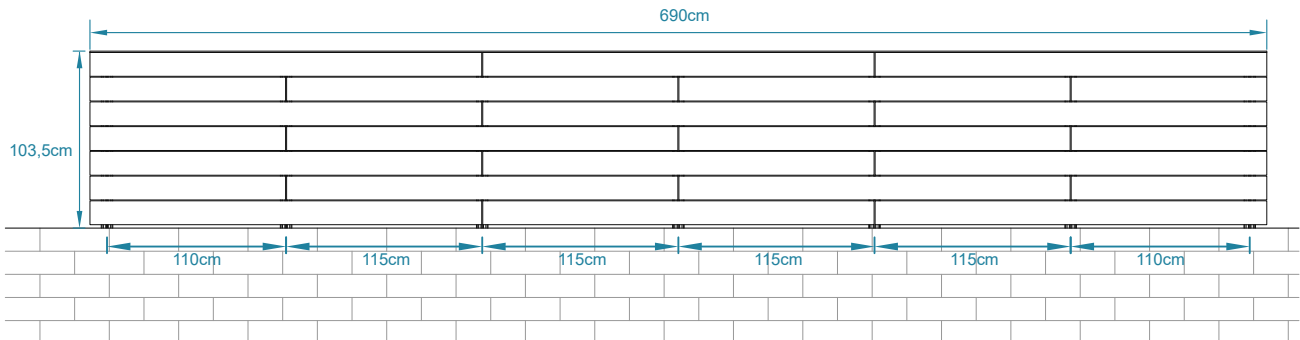
Unit/ sachet	Reference	Type	Dimensions mm	Weight (kg/sachet)
1	DEC90001AZ	¼ Bit with 4mm slit for CTOOL	85x26x40	0,06 Kg

Box features and n.º of packages:	Length:	0,12 m	No. Of Sachets per box:	5
	Width:	0,11 m	Volume:	0,001 m3
	Height:	0,08 m	Weight:	0,32 Kg

Estimated Material by SQ.M. for Fence

Board 2,30m - Joist Quick-fix and Intermediate Clip
 Direct Concrete Fixing with Support DEC70006IXP

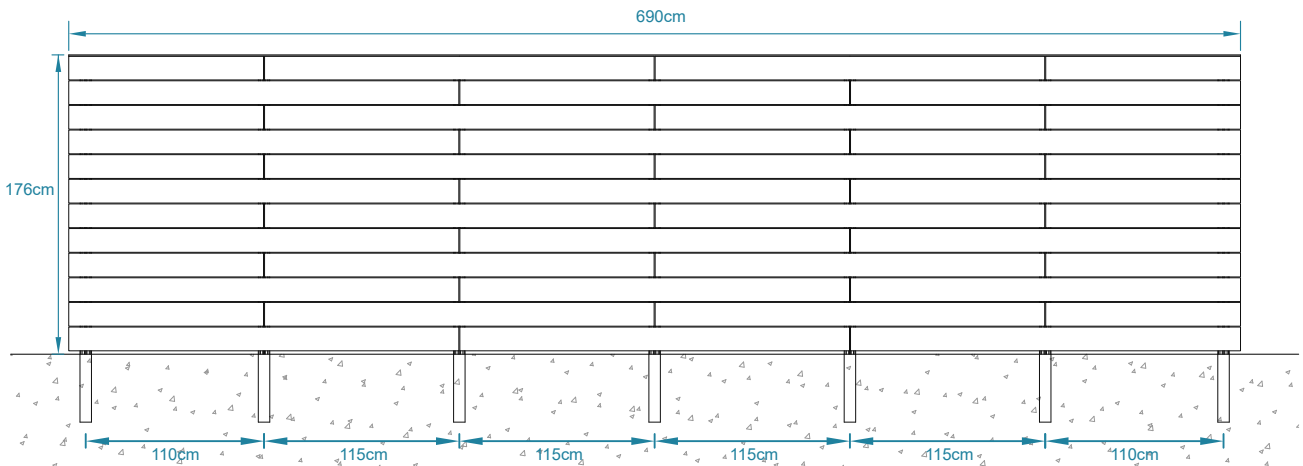
Reference	Designation	Qt/sq.m.
DEU01230xx	BOARD 2300x140x24	3,00 Unit
DEU14230AL	QUICK-FIX JOIST ALU 2300X67X52	0,49 Unit
DEU23230xx	FASTENER 2300X92X8	0,42 Unit
DEC70001xxx	QUICK-FIX INTERMEDIATE CLIP	6 Unit
DEC70002xxx	QUICK-FIX TERMINAL CLIP	2 Unit
DEC80001IXX	INOX SCREW 6X60 WITH PLUG Ø8	4 Unit
DEC70006IXP	STAINLESS STEEL SUPPORT FOR JOIST 67X52	1 Unit
DEC80002IXC	SELF DRILLING SCREW 3,5X25 STAINLESS STEEL	3 Unit
DEC80004IXX	SELF DRILLING SCREW 5,5X25 STAINLESS STEEL	2 Unit



Estimated Material by SQ.M. for Fence

Board 2,30m - Joist Quick-fix and Intermediate Clip
 Direct Concrete Fixing Or Ground Fixing With Concrete Solid Block

Reference	Designation	Qt/sq.m.
DEU01230xx	BOARD 2300x140x24	3,00 Unit
DEU14230AL	QUICK-FIX JOIST ALU 2300X67X52	0,58 Unit
DEU23230xx	FASTENER 2300X92X8	0,25 Unit
DEC70001xxx	QUICK-FIX INTERMEDIATE CLIP	6 Unit
DEC70002xxx	QUICK-FIX TERMINAL CLIP	2 Unit
DEC80002IXC	SELF DRILLING SREW 3,5X25 STAINLESS STEEL	3 Unit



Note: The amounts shown are merely examples, given that actual need will depend on the typology of the area and the way the CFENCE is applied, with reference to the projects above.



INSTALLATION MANUAL



www.iht-group.com

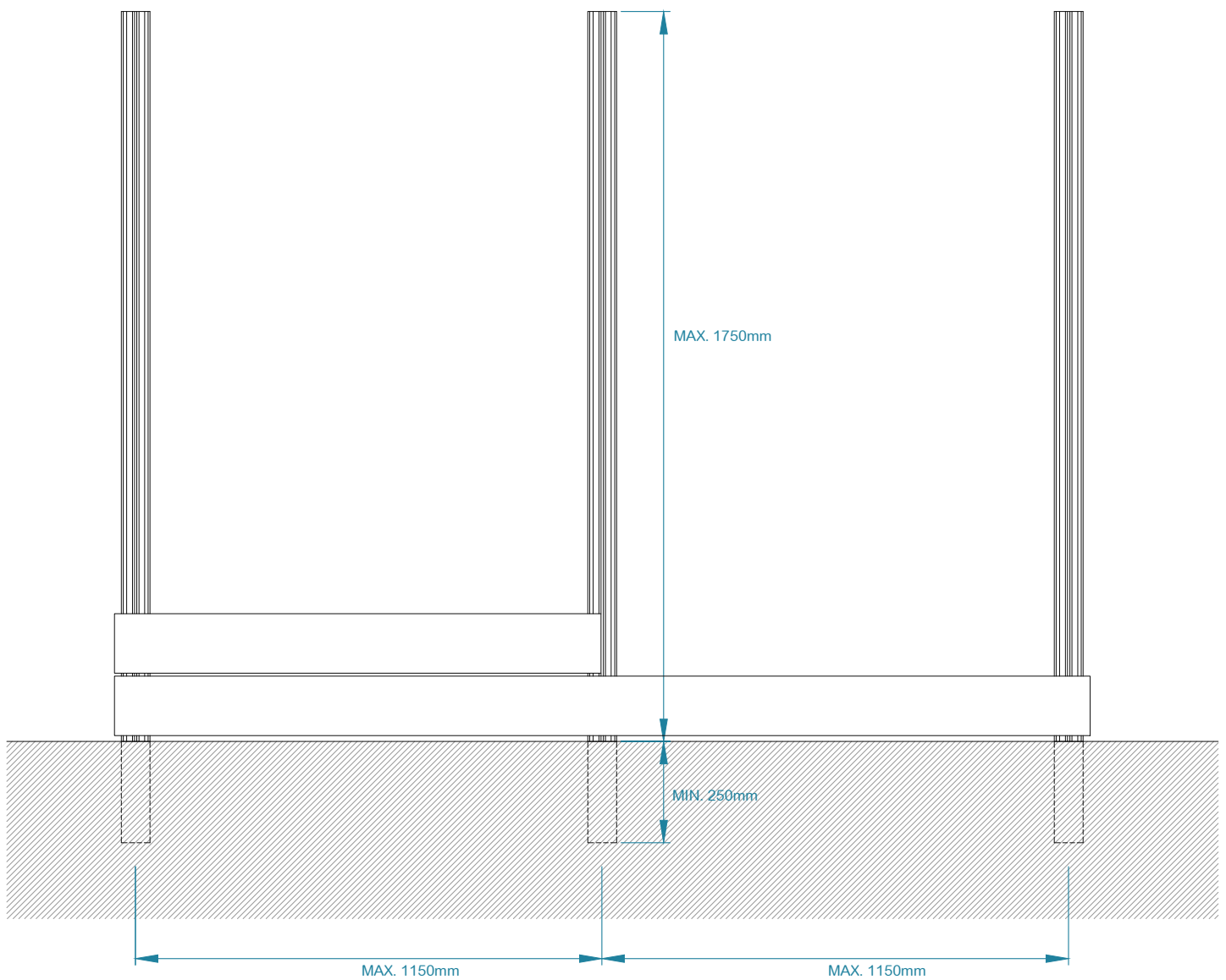
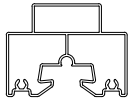
1. GENERAL RULES

- Items from the CFENCE range should be stored on a flat surface, and the items should be protected from direct exposure to sunlight, rain, snow, and other adverse climatic conditions.
- The WPC profiles (e.g.: Boards) should remain on site for at least 48 hours before being fitted, so that the material can adapt to the climatic conditions.
- Due to the fact that the base material (WPC) includes wood, there may be small differences of colour between profiles. It is therefore advisable to have a varied distribution of profiles, to cater for these natural discrepancies.
- Before starting the installation you should always check that you have the latest version of the installation manual.
- In large areas, the installation of the CFENCE should be carried out in different phases, consisting of no more than 100 sq.m per phase.
- CFENCE flooring should not be installed in extreme weather conditions, such as temperature below 5 °C, relative humidity above 90%, snow, etc.
- The CFENCE profiles are not structural profiles, and should not be installed as suspended constructions.
- The CFENCE range is a floating sealing range, so its boards should never be screwed to the base or fastened to any items other than those listed in this manual.
- The installation of CFENCE profiles should be carried out in such a way as to ensure no water is accumulated in any parts, particularly inside the boards.
- If you have any different needs that are not covered by this manual, you should contact IHT to obtain additional instructions.
- Regardless of the application, it must be ensured that the CFENCE boards are not in contact with the ground or with other moisture-enhancing agents, such as: the grass.

2. FASTENER THE QUICK-FIX JOIST

2.1 DIRECT CONCRETE FIXING

DEU14230xx



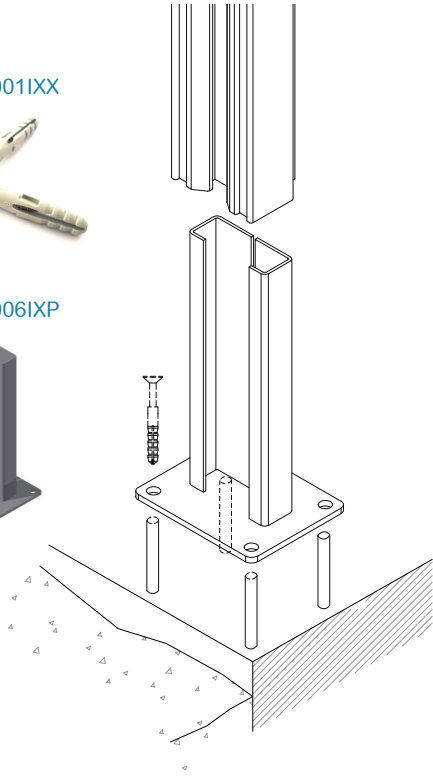
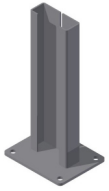
2.2 FIXING IN CONCRETE WITH SUPPORTS

2.2.1

DEC80001IXX



DEC70006IXP

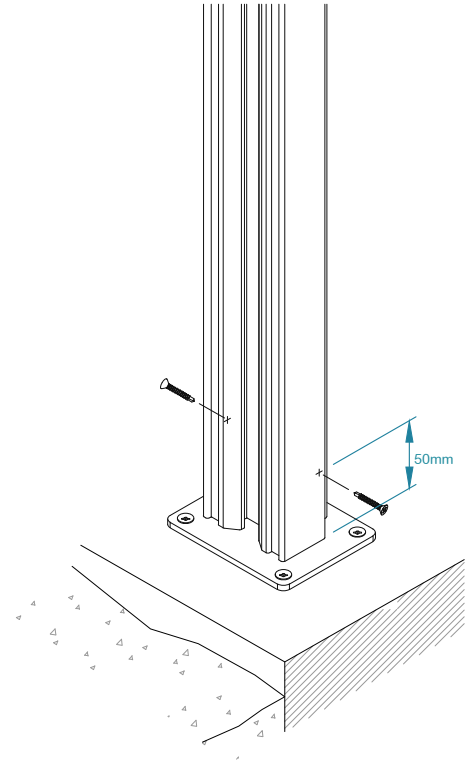
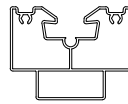


2.2.2

DEC80004IXX

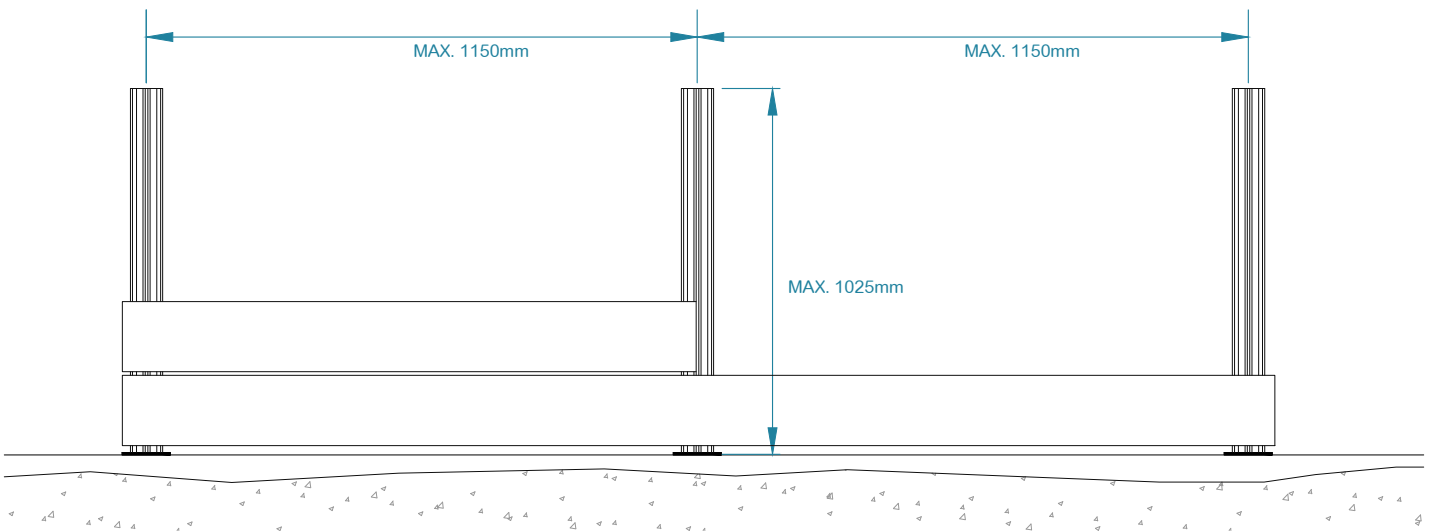


DEU14230AL



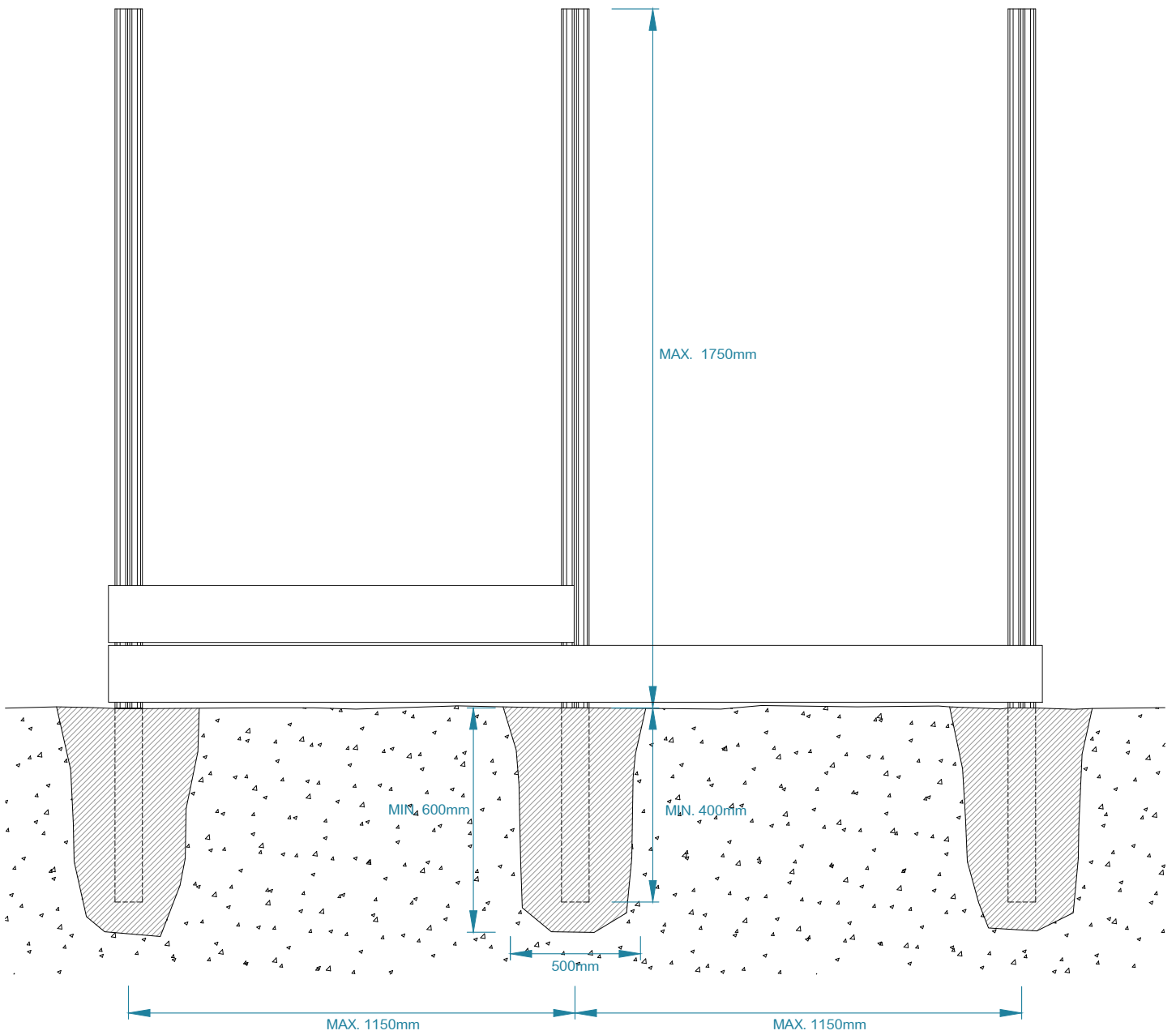
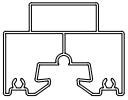
The installation surface should be completely flat and stable (e.g. 10 - 15 cm of solid concrete) . .

2.2.3



2.3 DIRECT GROUND FIXING WITH CONCRETE SOLID BLOCK

DEU14230xx



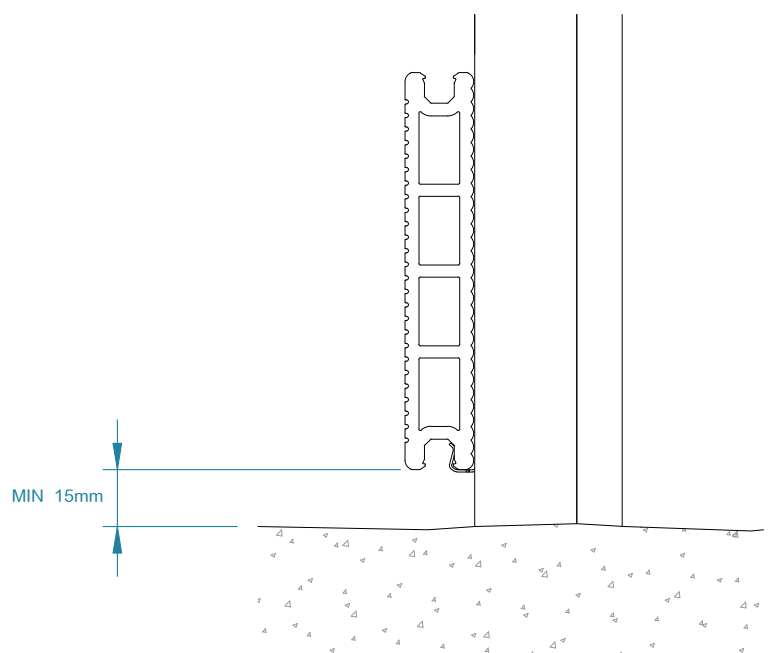
Open pits for foundation and secure the pillars with concrete

3. FASTENING THE CFENCE BOARDS

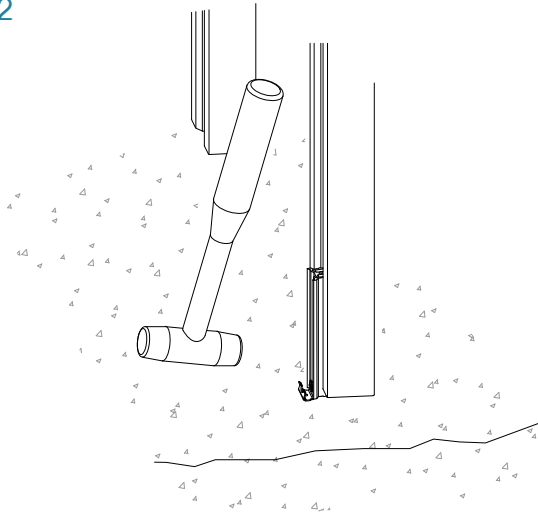
3.1



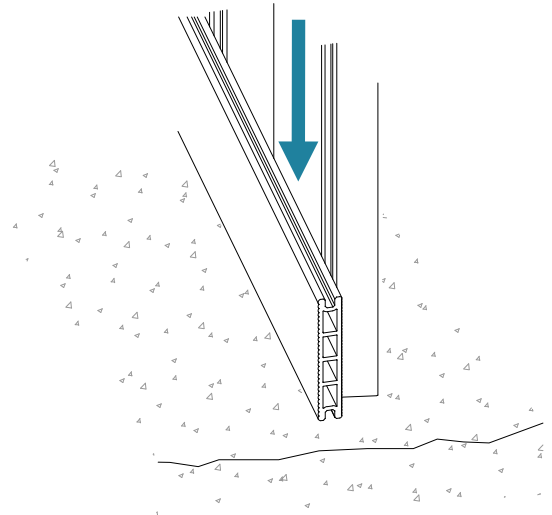
The minimum distance to the ground must always be guaranteed, regardless of the fixation base or system adopted.



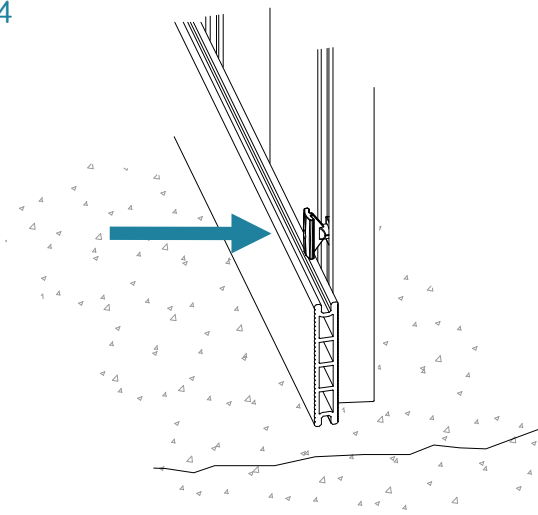
3.2



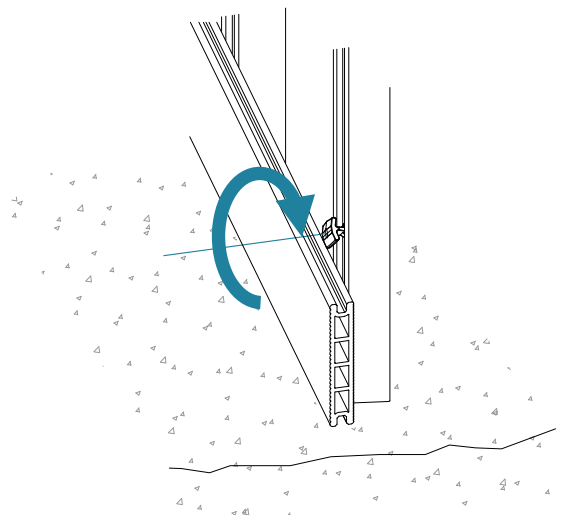
3.3



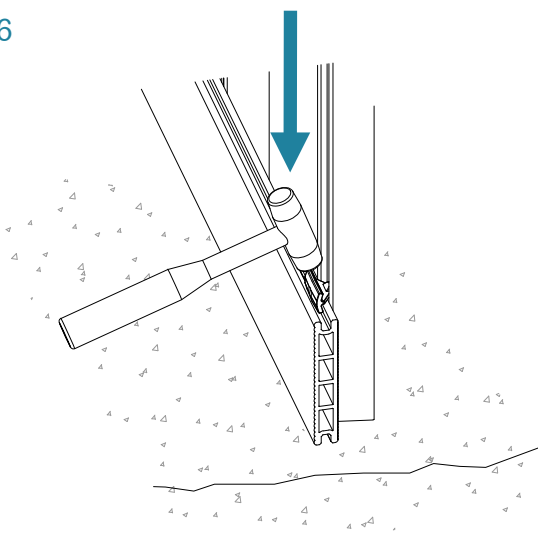
3.4



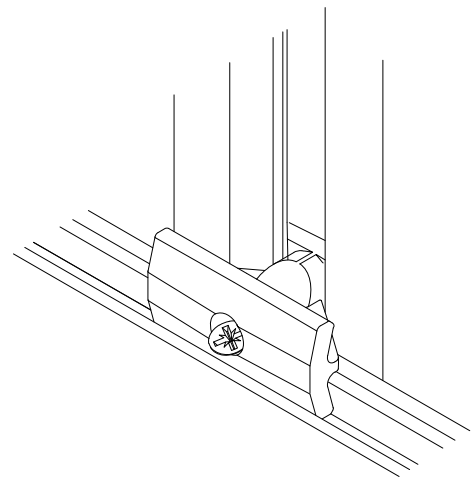
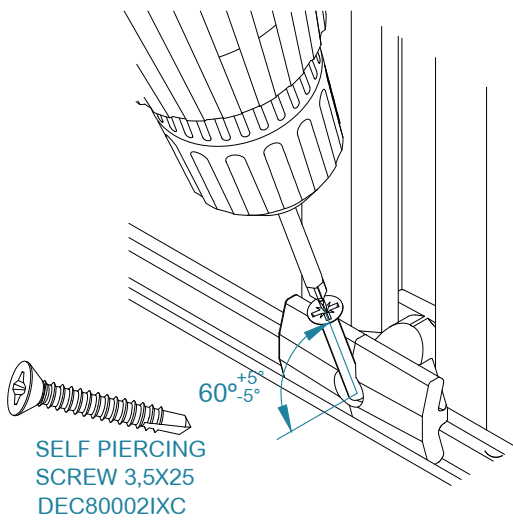
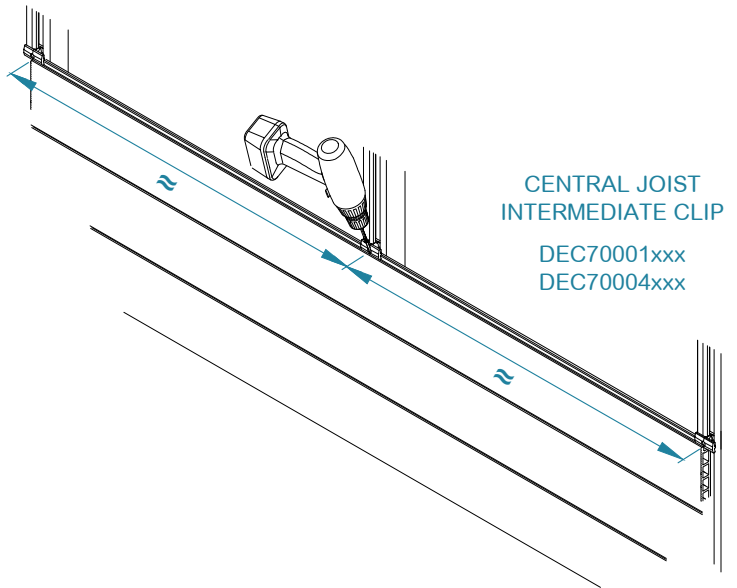
3.5



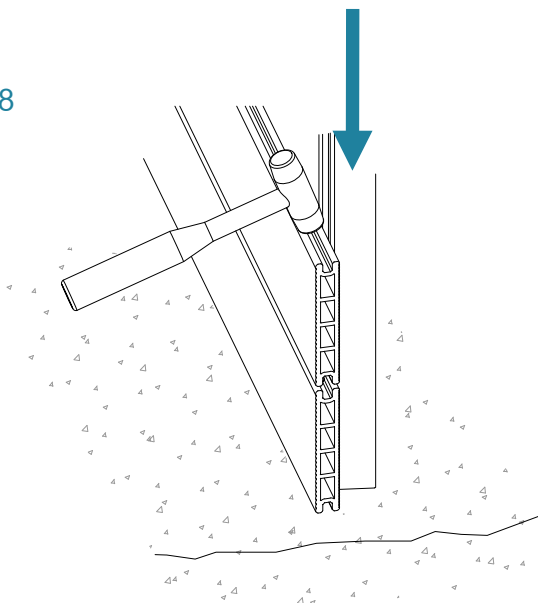
3.6



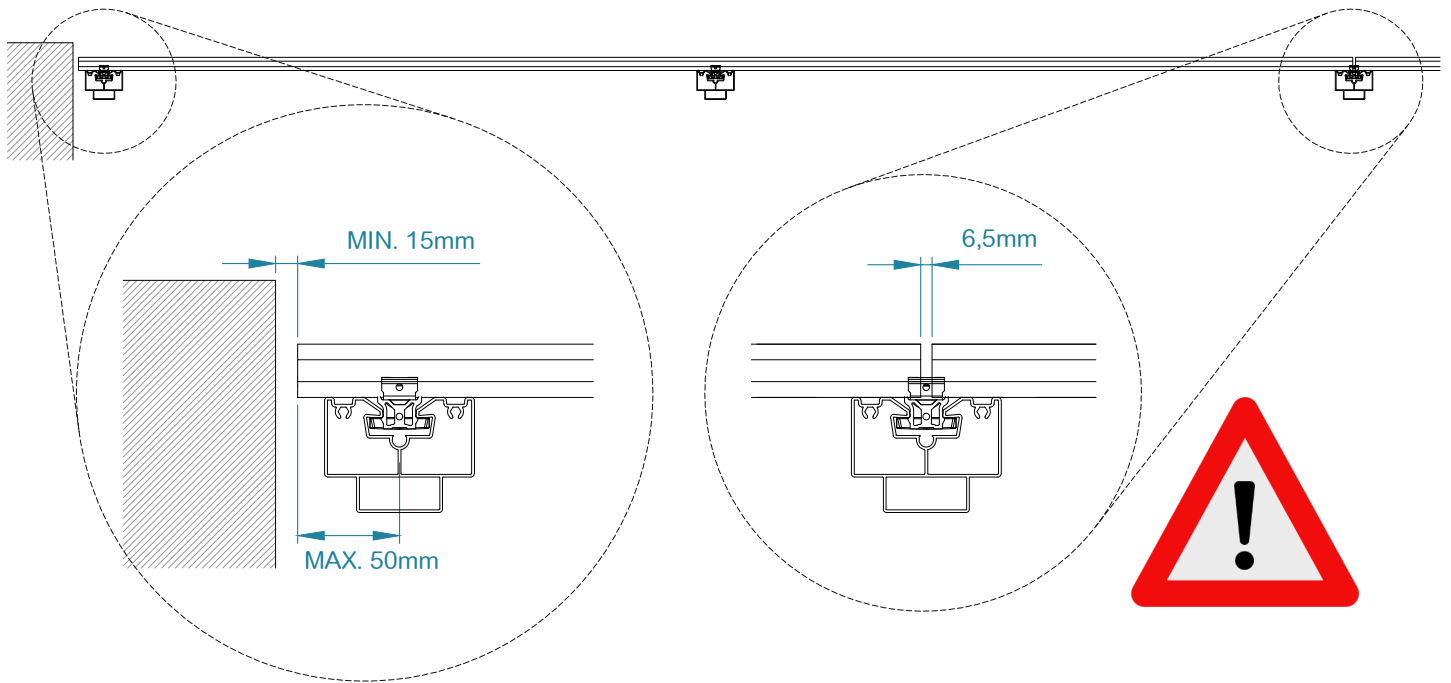
3.7 FASTENING THE BOARD IN THE CENTRAL JOIST (TO AVOID SLIPPAGE)



3.8

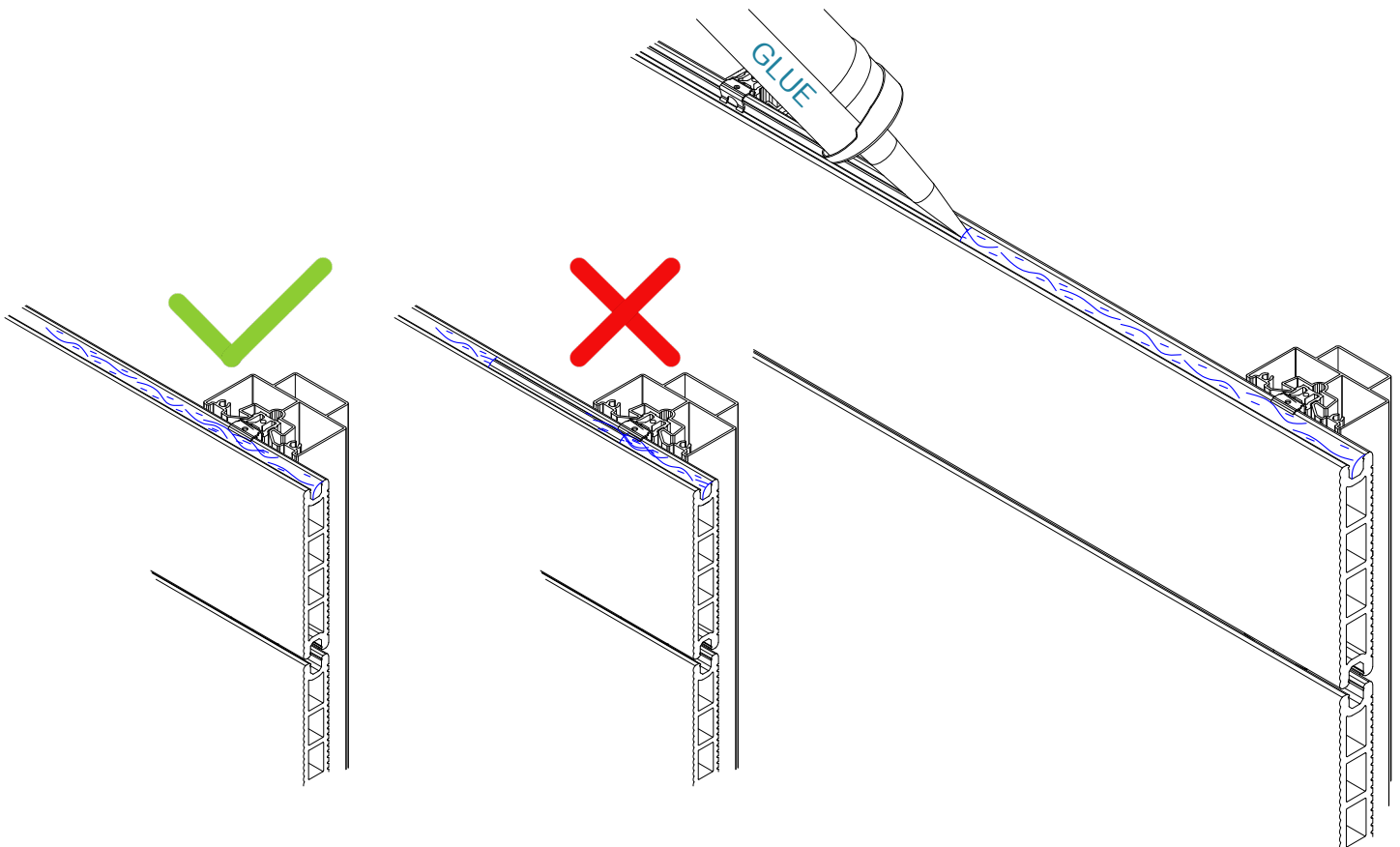


3.9

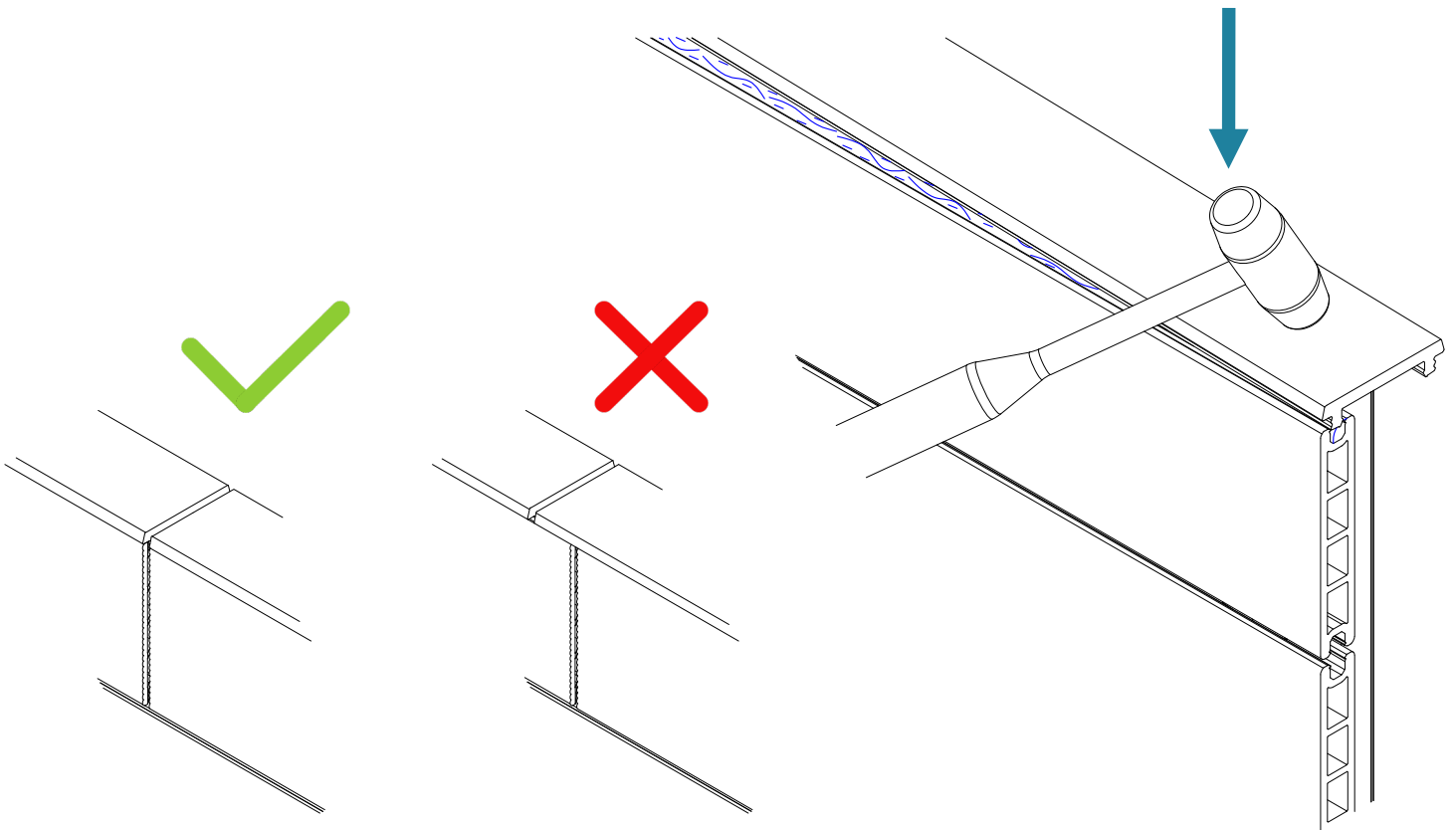


4. FIXATION OF THE DUAL FASTENER CFENCE

4.1

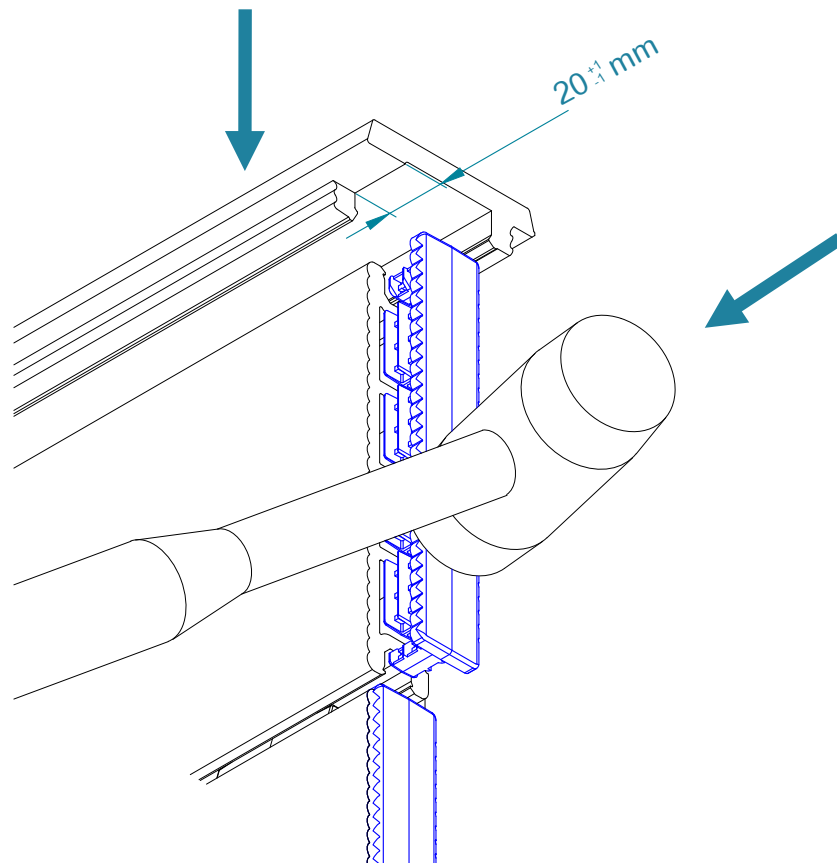


4.2



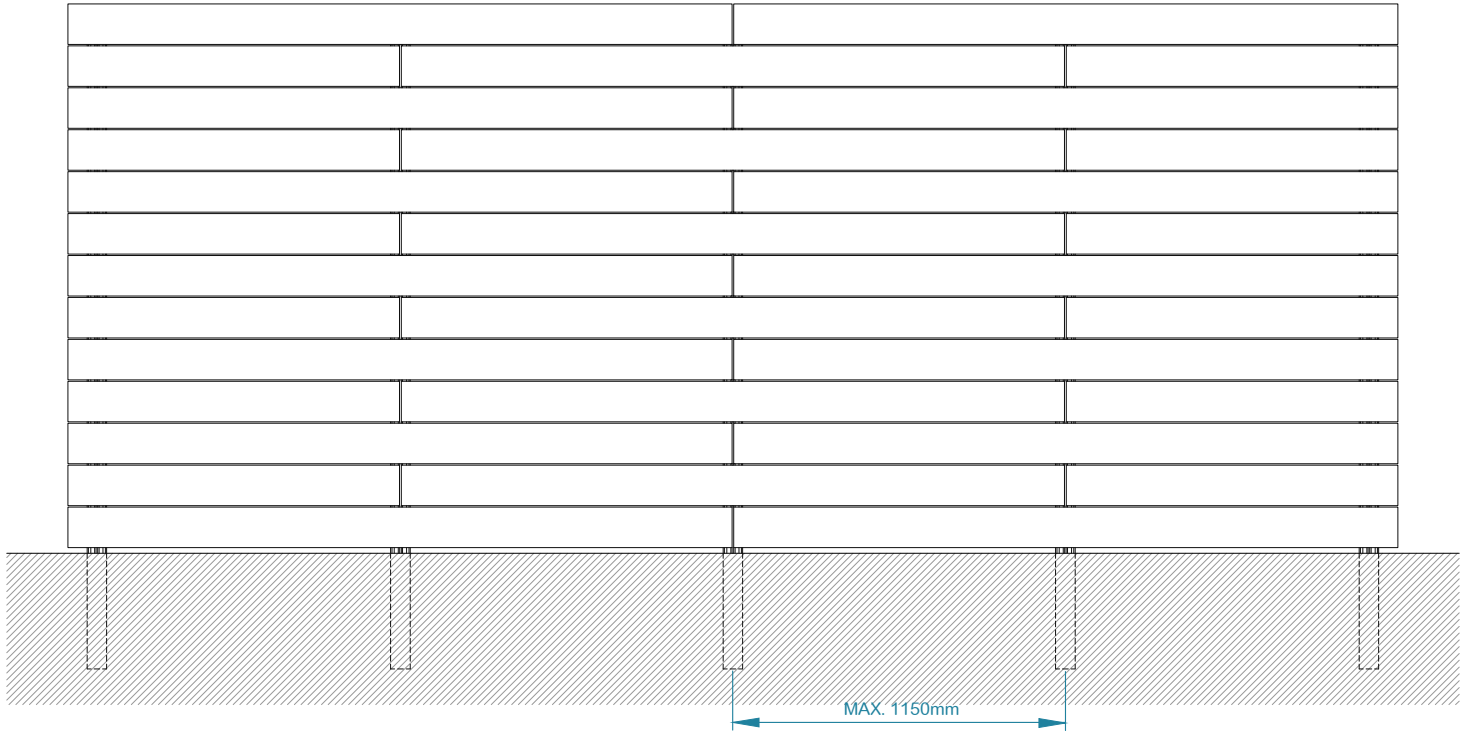
5. HOLLOW BOARD END CAP ASSEMBLY

5.1

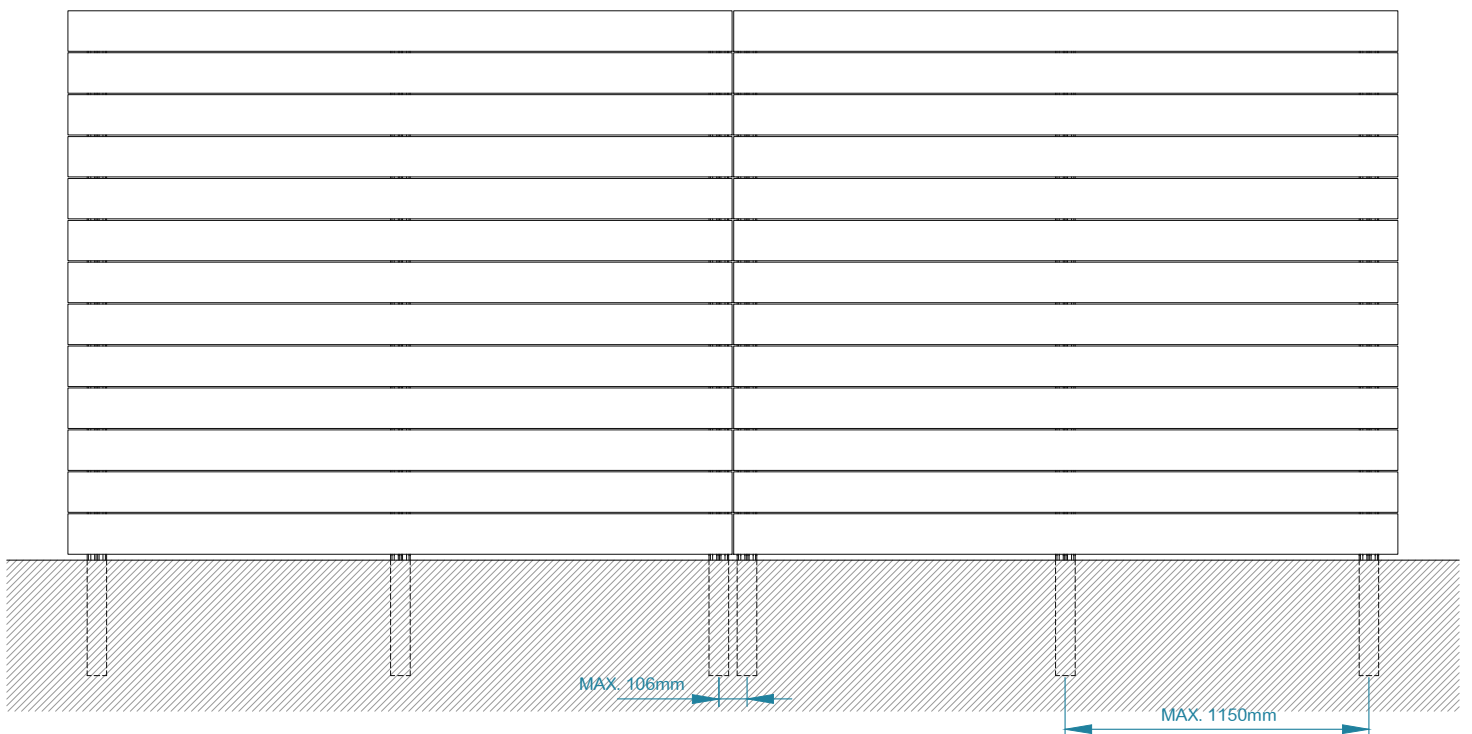


6. RECOMMENDED APPLICATION TYPES

6.1 LAGGED ASSEMBLY

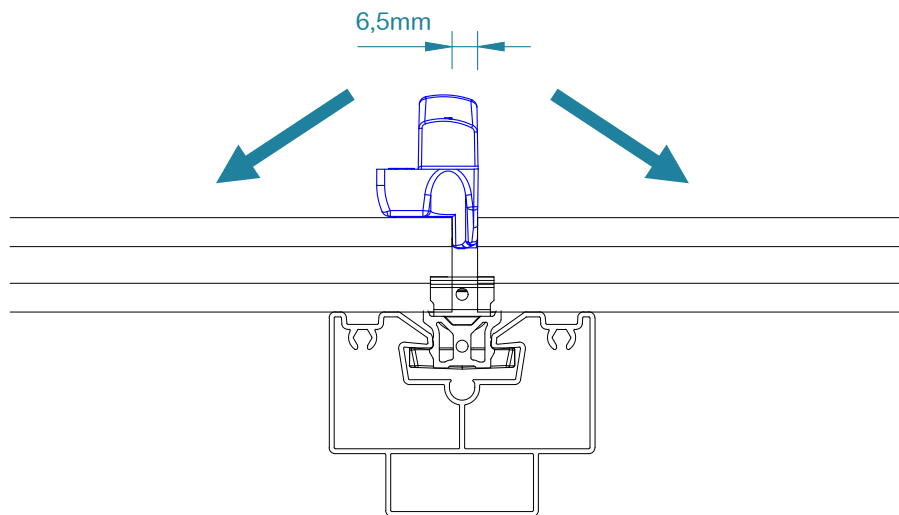


6.2 ALIGNED

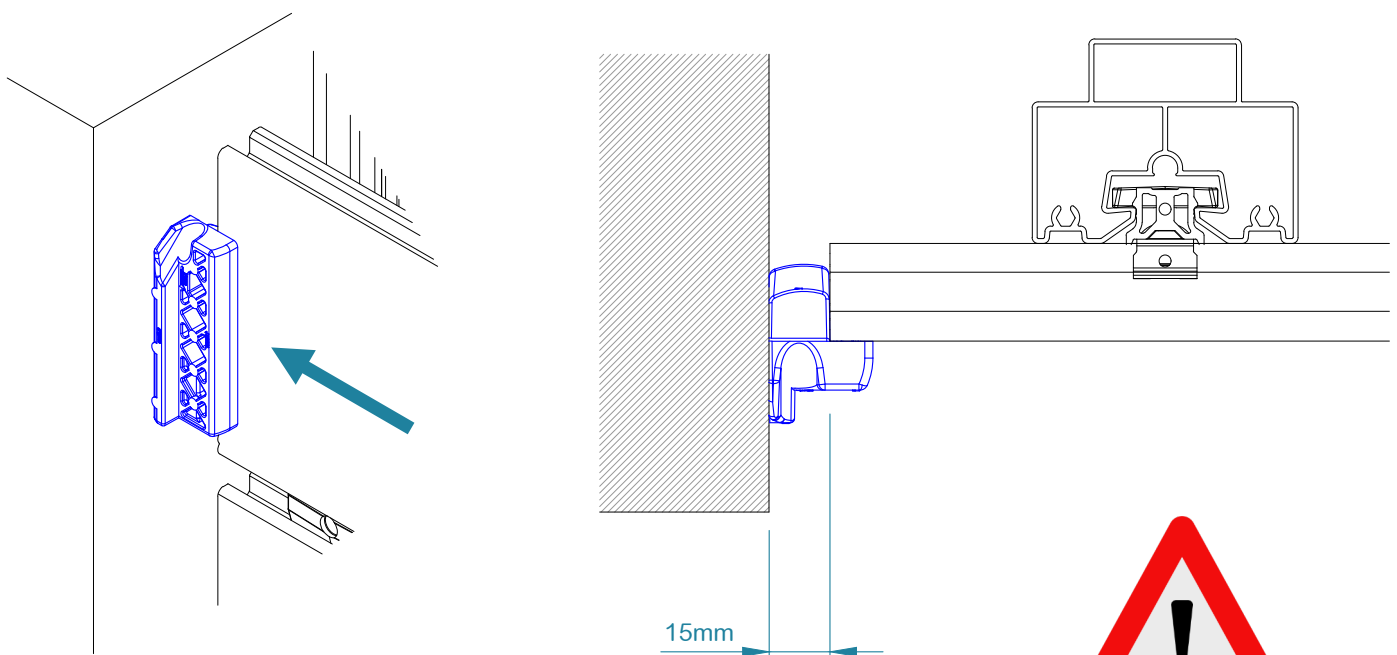


7. USING THE CTOOL TOOL

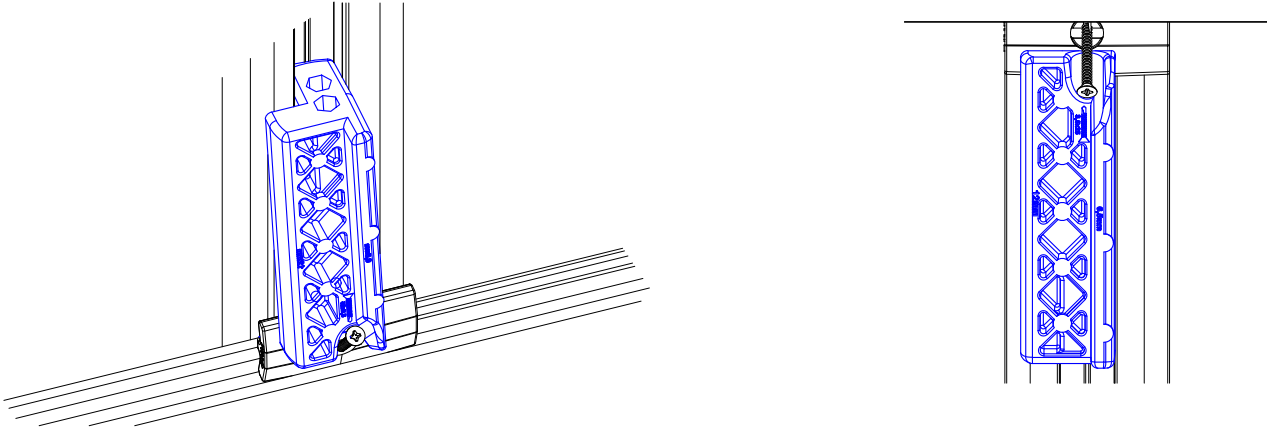
7.1 CLEARANCE BETWEEN THE TOP OF THE BOARDS



7.2 CLEARANCE FROM THE FIXED ELEMENTS



7.3 POSITIONING OF THE BOARDS CENTRAL CLAMPING SCREW



8. CFENCE MAINTENANCE

8.1 INITIAL MAINTENANCE

During fitting it is common for a lot of dust to be produced, so we recommend the CFENCE to be thoroughly cleaned with water, mild detergent and a soft brush. You can use a garden hose or a high pressure apparatus (at a minimum distance of 30 cm and a maximum pressure of 150 bar), always washing the boards lengthwise.

8.2 REGULAR MAINTENANCE

The composite CFENCE is easy to maintain. However, it still needs regular cleaning.

Like any covering made of wood, synthetic materials, stone, etc., signs of fungus, moss, etc. can also appear on the CFENCE when certain environmental factors are present. Therefore, periodic cleaning is recommended to maintain their good appearance and to ensure that residues do not deposit permanently.

For best results, washing with a pressure machine is the most suitable solution.

For more persistent stains, wash the boards with a chlorine solution (bleach), testing various concentrations until the desired result is achieved.

You should also avoid sharp objects coming into contact with the boards as these events can cause damage to the surface layer of the boards.

8.3 GENERAL ASPECTS

The CFENCE is a semi-natural product, so that the variations in colour and texture are likely to appear over time. During the first months after outdoor fitting, the colour will gradually change until it stabilises. The boards will take on a final colour which is lighter and more natural than the original colour, due to the absorption of water by the wooden fibres. Once stabilised, colour and texture remain virtually unchanged.

Under certain conditions, static electricity may be formed. This is a natural phenomenon due to the fact that the CFENCE includes thermoplastic. However, it will tend to disappear once the texture stabilises.